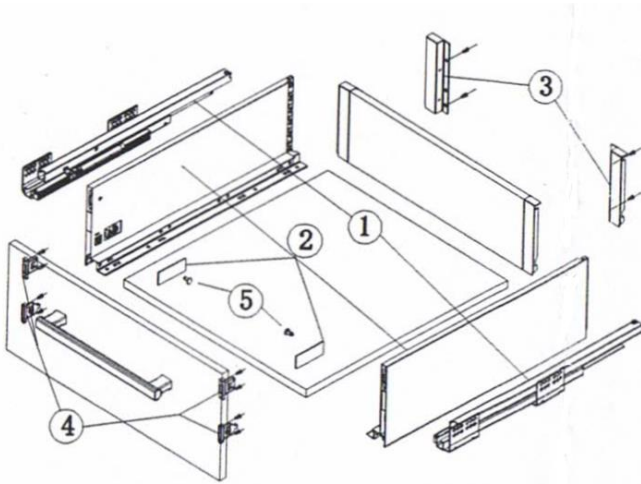


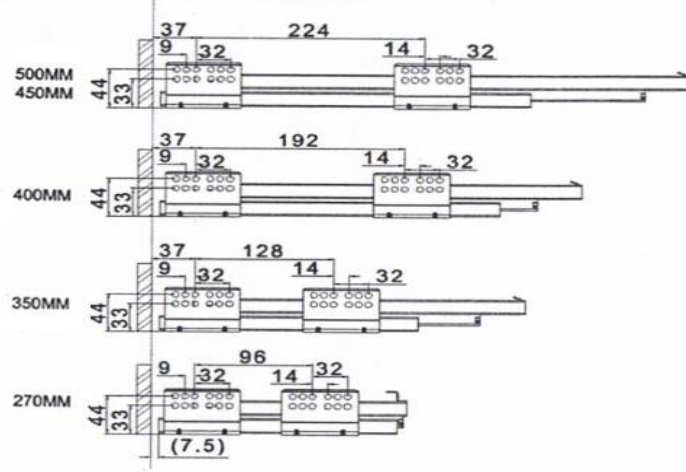
DBT SLIMLINE FITTING INSTRUCTIONS

Special Features

- Length 270, 350, 400, 450, 500.
- Drawer sides come in various heights:
 1. 88mm high (installation space needed in unit min 110mm high)
 2. 120mm high (installation space needed in unit min 142mm high)
 3. 171mm high (installation space needed in unit min 192mm high)
 4. 203mm high (installation space needed in unit min 225mm high)
- For the Slimline Internal drawer only they have 2x different heights with sides:
 1. 125mm high front using 88mm high sides
 2. 210mm high front using 171mm high sides
- Hidden full pull-out silencing sliding skid can bear 35Kg and enjoys excellent stability and quiet and smooth sliding performance.
- Quick installation and dismantle



Runner Installation(mm)



1. Drawer runners

270mm
350mm
400mm
450mm
500mm

2. DRAWER SIDES & SCREW COVER CLIPS

LENGTH: 270MM
350MM
400MM
450MM
500MM

3. Back connector Left / Right

4. Front connector Left / Right

1x pair: 88mm high
120mm high
125mm high

2x pair: 171mm high
203mm high
210mm high

5. Upper pin to secure plastic front connector to drawer sides.

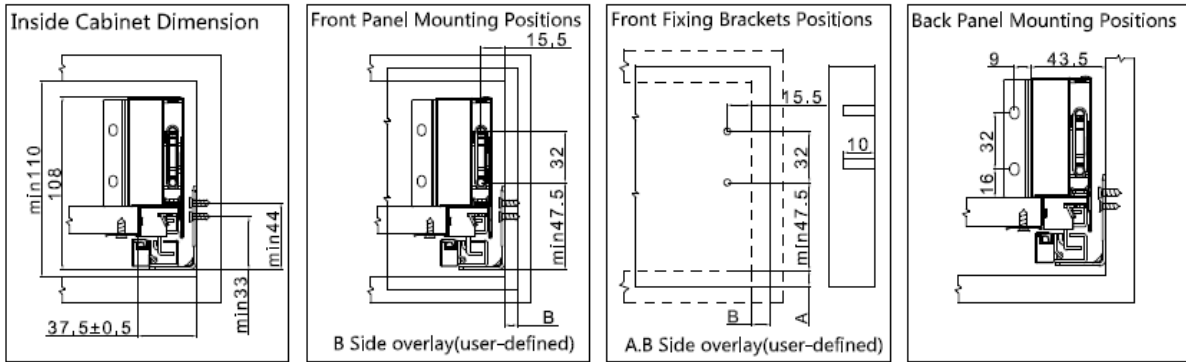
Included for drawer heights:
171mm, 203mm & 210mm

Basic Dimension	Drawer Internal Usable Depth	Minimum Installation Depth
270mm	244mm	270mm
350mm	324mm	350mm
400mm	374mm	400mm
450mm	424mm	450mm
500mm	474mm	500mm

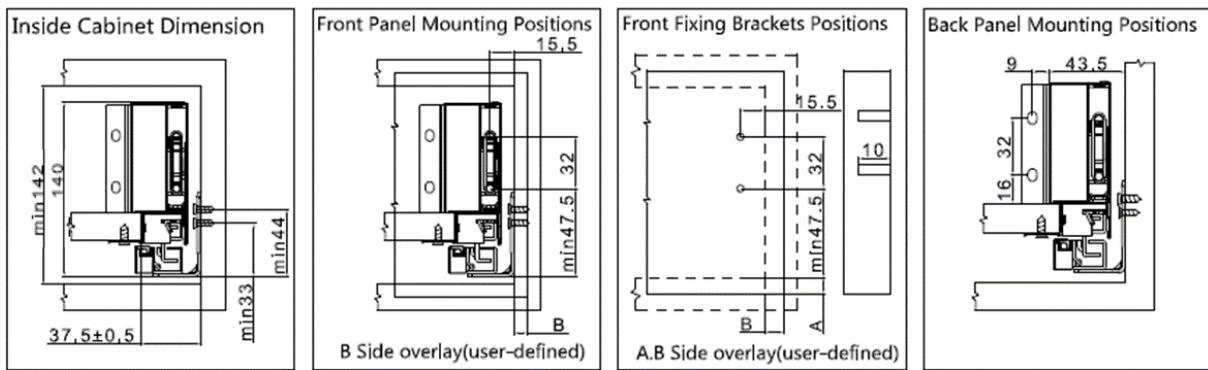
Please look at diagram depending on your height drawer box page 2 then go to pages 3 & 4 for building drawer box

- A) 88MM HIGH / Internal 125mm High
- B) 120MM HIGH
- C) 171MM HIGH / Internal 210mm High
- D) 203MM HIGH

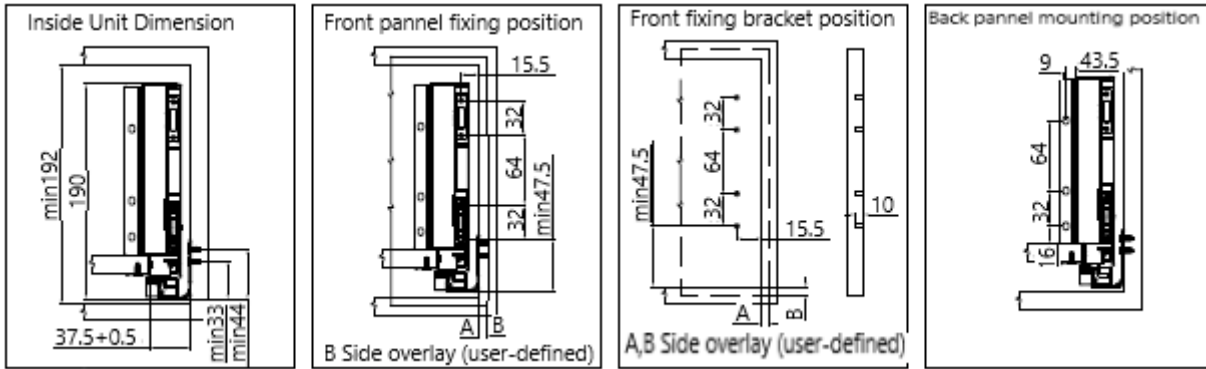
A) 88MM HIGH



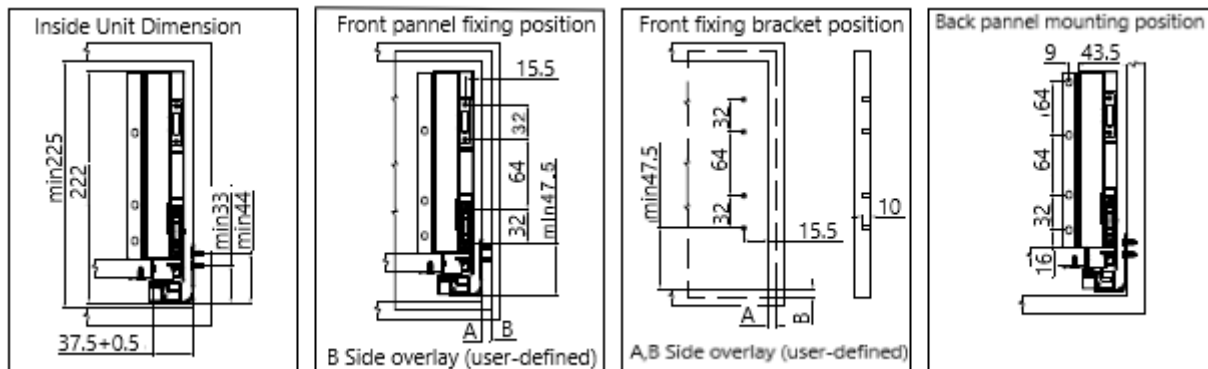
B) 120MM HIGH



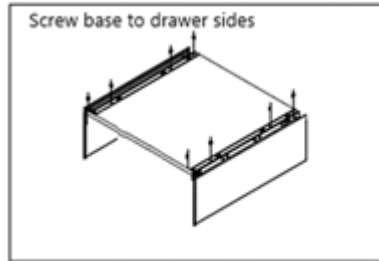
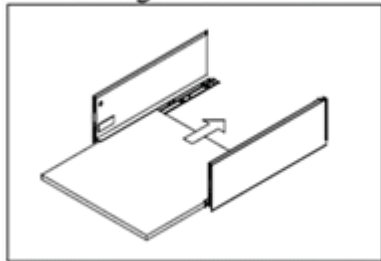
C) 171MM HIGH



D) 203MM HIGH



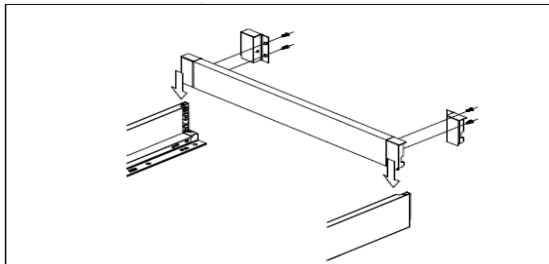
Mounting the drawer



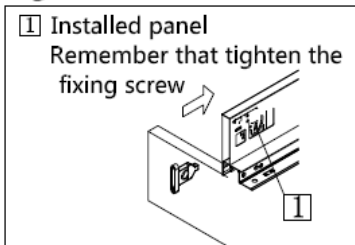
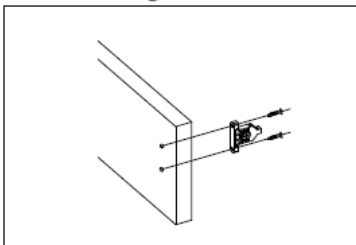
Make sure drawer base is level with front of drawer (the hollow end)



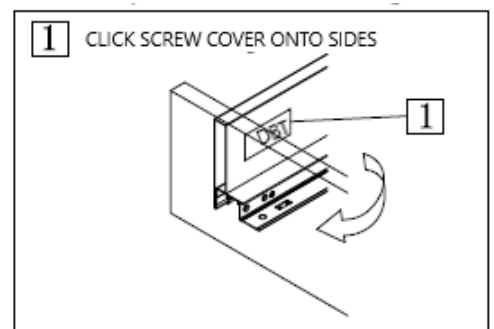
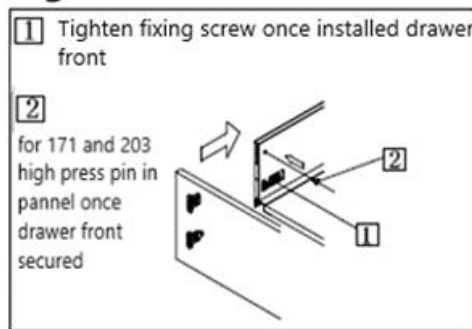
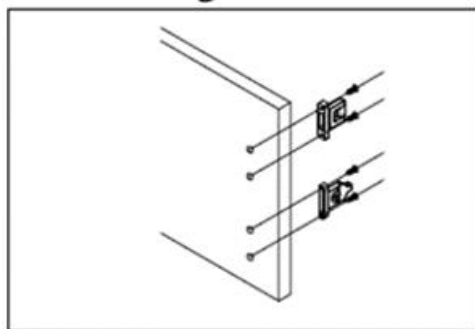
- 1) Slide back bracket into the plastic section on the drawer sides.
- 2) Once you have placed the back bracket in place it should be sitting on the drawer base and clicked into place.
- 3) Screw the back bracket to back drawer panel.
- 4) To release the back bracket please see circled above the lever to push and pull bracket out of place.



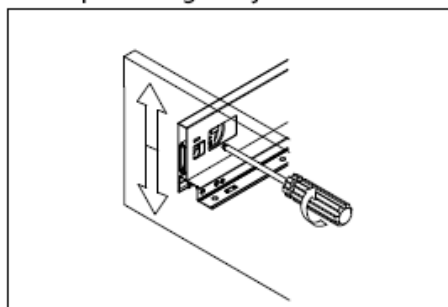
Front fixing brackets mounting



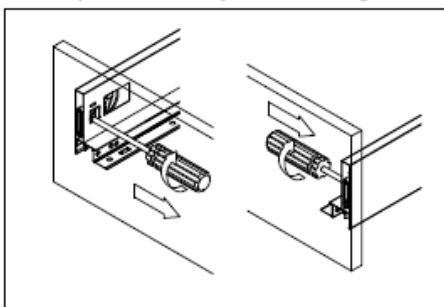
Front fixing brackets mounting



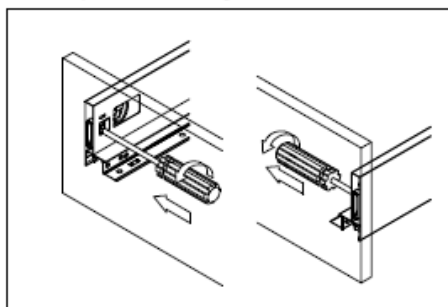
Front panel height adjustment : ±2mm



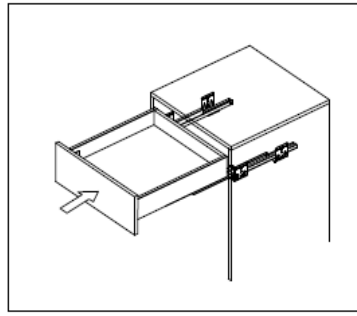
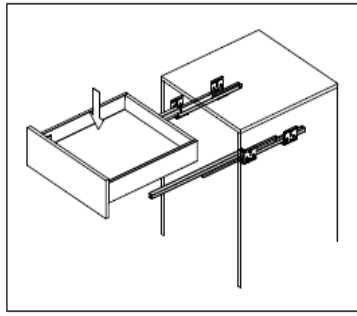
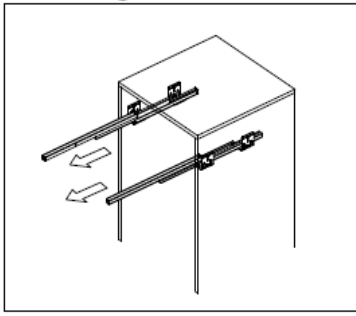
Front panel side adjustment : right 1mm



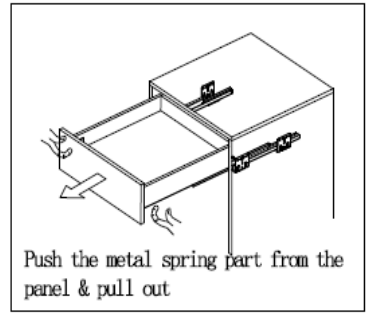
Front panel side adjustment : left 1mm



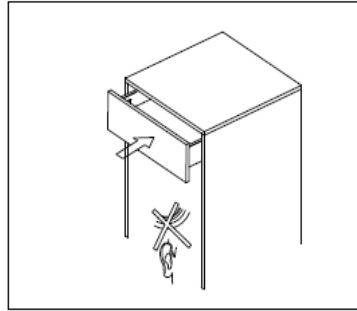
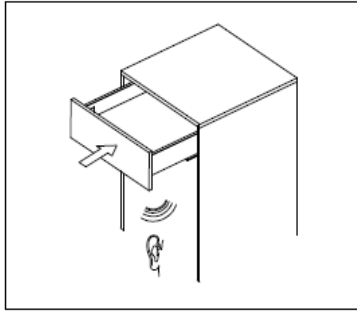
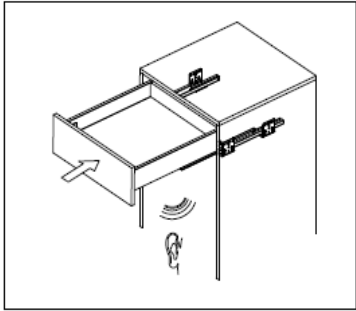
Installing the drawer



Removing the drawer



Function of the damper



Internal drawers

Internal Drawer Front 125mm High
attachment for front panel



Internal Drawer Front 210mm High
attachment for front panel



Front Panel front + rail if 210mm high



Back of Front Panel



Circled is where the front fixing brackets for the drawer will be attached, they are also marked **Q** on the attachments themselves. Once fixed on drawer front please attach to drawer sides (see page3).

For the 210mm high only there will be 2x pair of brackets to attach to each attachment 1x plastic bracket + 1x metal bracket. There will also be 1x rail to slide into attachment. The plastic brackets provided are to be placed where circled or marked with **Q** opposite the rail.