

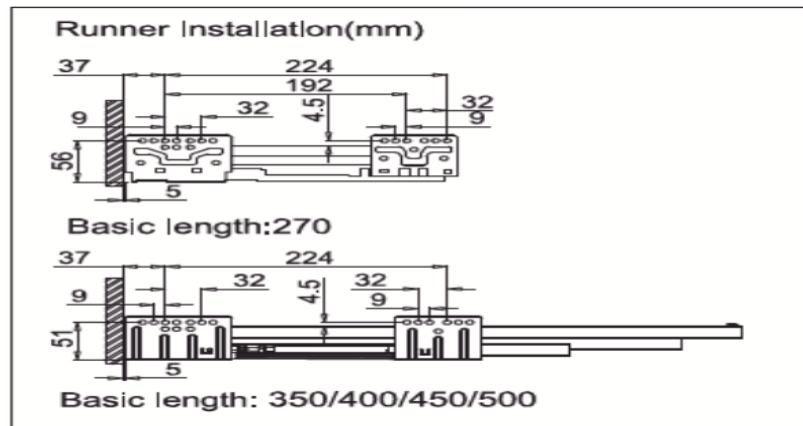
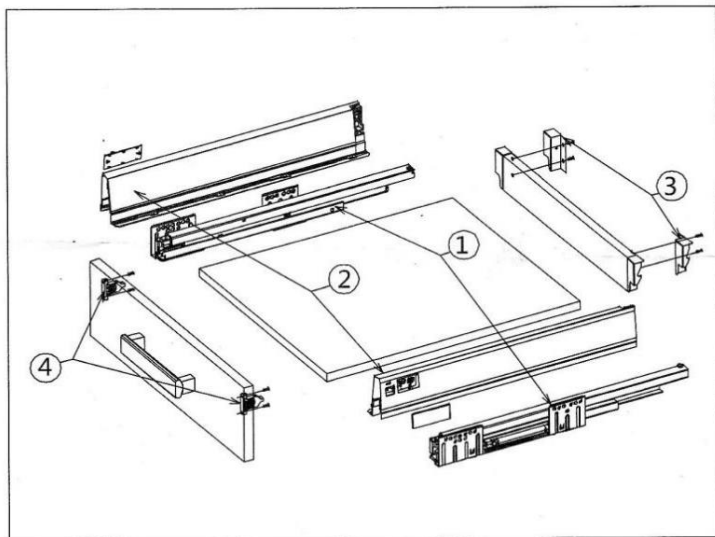
DBT Soft Close Drawer

FITTING INSTRUCTIONS

Special Features

- Length 270, 350, 400, 450, 500.
- Drawer sides come in various heights:
 1. 95mm high (installation space needed in unit min 95mm high)
 2. 180mm high (installation space needed in unit min 180mm high)
 3. 224mm high (installation space needed in unit min 224mm high)
- **For the Internal drawer only:** they have 2x different heights with sides:
 1. 110mm high front using 95mm high sides
 2. 224mm high front using 95mm high sides + acrylic + rail
- Hidden full pull-out silencing sliding skid can bear 35Kg and enjoys excellent stability and quiet and smooth sliding performance.
- Quick installation and dismantle
-

Basic Dimension	Drawer Internal Usable Depth	Minimum Installation Depth
270mm	244mm	270mm
350mm	324mm	350mm
400mm	374mm	400mm
450mm	424mm	450mm
500mm	474mm	500mm



1. Runners **Left/Right** **Length:** 270mm
 350mm
 400mm
 450mm
 500mm

2. Drawer sides **Left/Right** **Length:** 270mm
 350mm
 400mm
 450mm
 500mm

3. Back connectors
Left/Right

4. Front connectors

Plastic Screw Cover (DBT)

*** Only for 180mm high + 224mm High**
Gallery rails

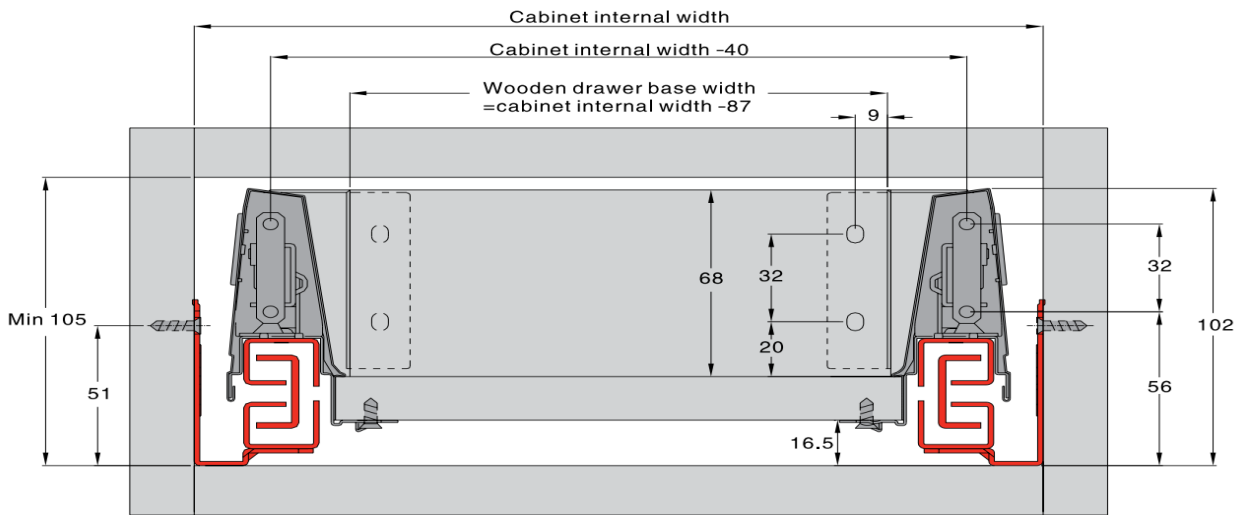
***Only for acrylic order or internal 224mm high**

Acrylic sides and connectors

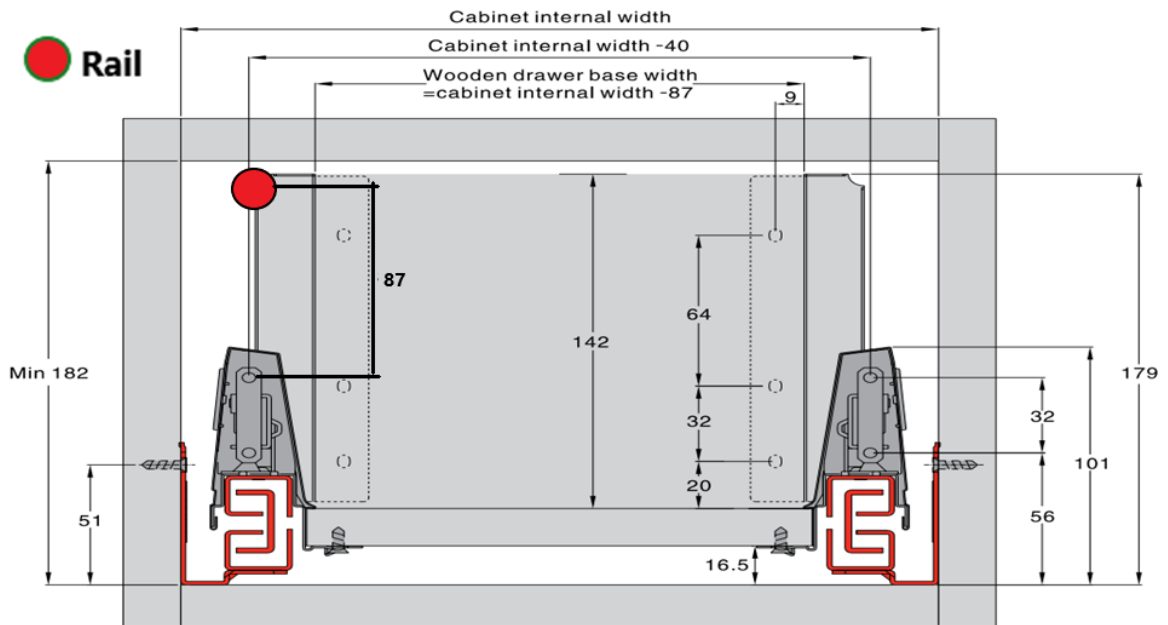
2x Rail connectors only for double rails 224mm high

2x MDF strips 3mm thick
only to be used if your unit has 15mm sides
Packers
attach to unit before attaching runners

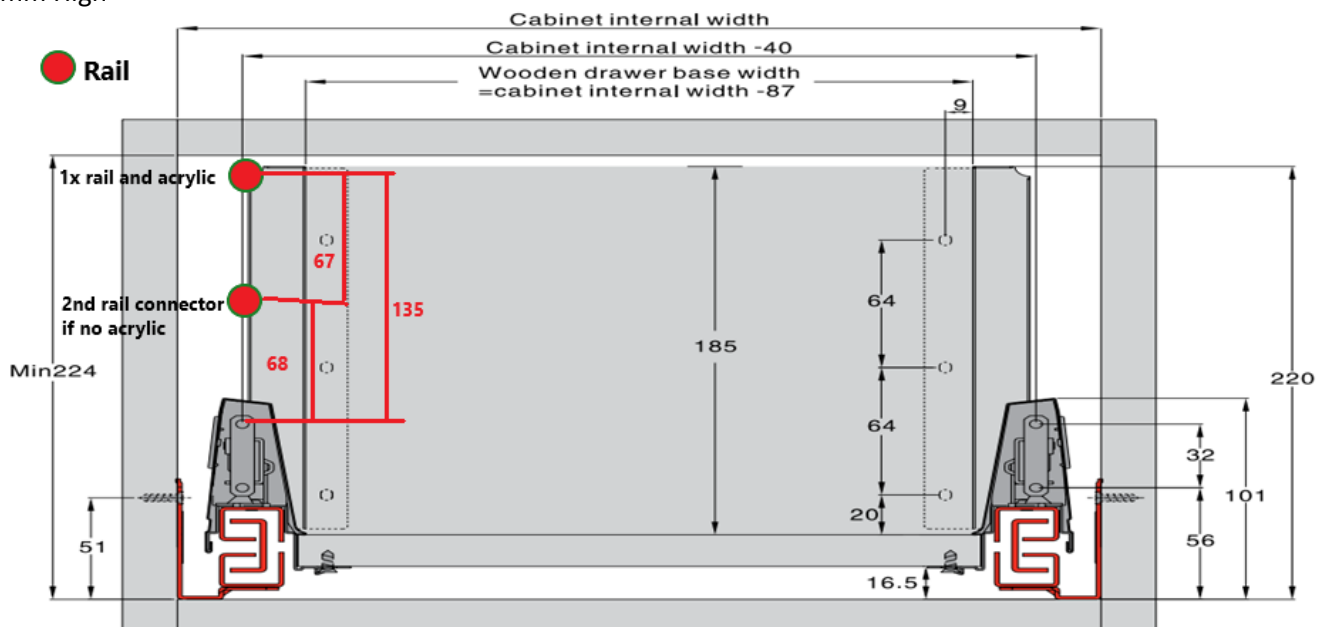
A) 95MM HIGH / Internal kitchen drawer box 110mm High front



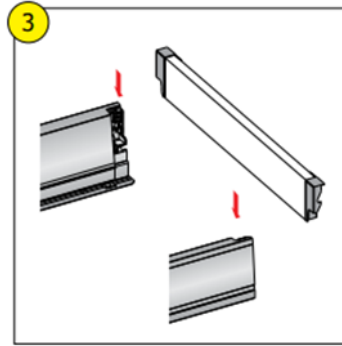
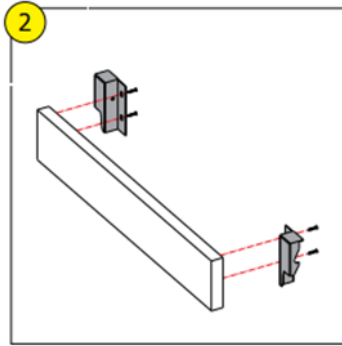
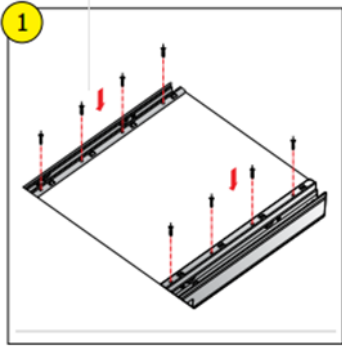
B) 180MM HIGH / Internal kitchen drawer box 224mm High front



C) 224mm High



Drawer assembly



once back connector is attached to sides place drawer back between connectors and attach by screw holes provided marked **X** on the connectors. (different height drawers have different holes this is just a guide)

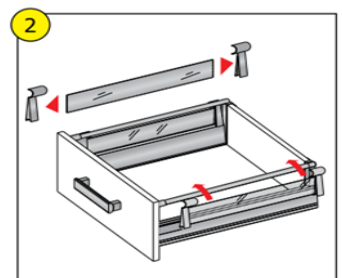
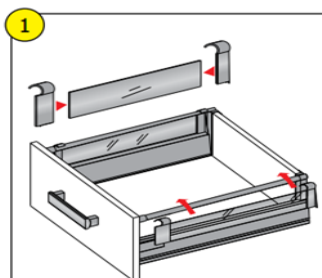
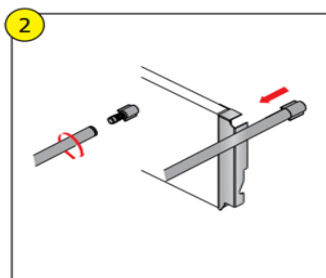
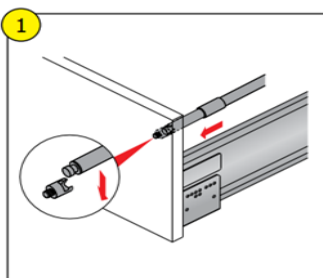


lever to release the back connectors from the sides

- 1) Slide back bracket into the plastic section on the drawer sides.
- 2) Once you have placed the back bracket in place it should be sitting on the drawer base and clicked into place.
- 3) Screw the back bracket to back drawer panel.
- 4) To release the back bracket please see circled above the lever to push and pull bracket out of place.

Fitting gallery rails

Fitting acrylic sides



180MM HIGH + 224MM HIGH WITH RAIL / ACRYLIC INFORMATION

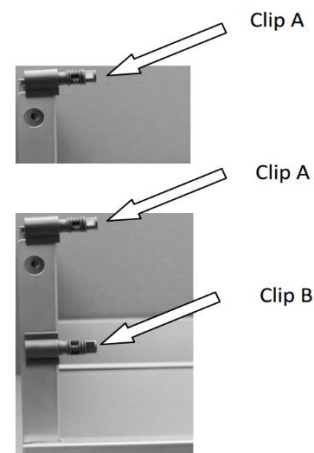
Single Rail

Single Rail Pan requires 'Clip A' (pre installed to rail)

Double Rail

Double Rail Pan requires 'Clip A' & 'Clip B'

(Unscrew clip A from the rail and screw Clip B to the rail)



Acrylic Sides

Acrylic holders clip onto the acrylic sheets (remove protective cover from acrylic before assembly)



Acrylic connectors for 180mm high

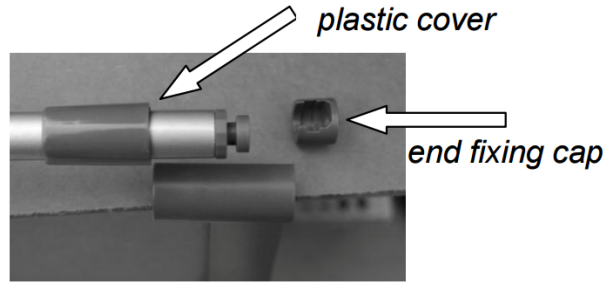


for 224mm high

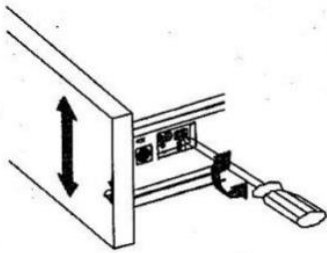


Fixing to Drawer Fascia

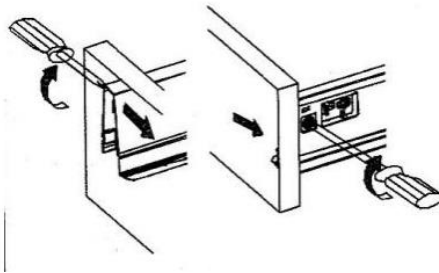
Slide back the plastic cover from rail, Remove end fixing cap, and fix to drawer fascia, secure rail into end fixing cap and slide plastic cover to secure



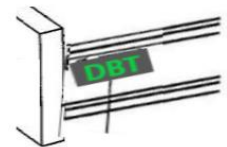
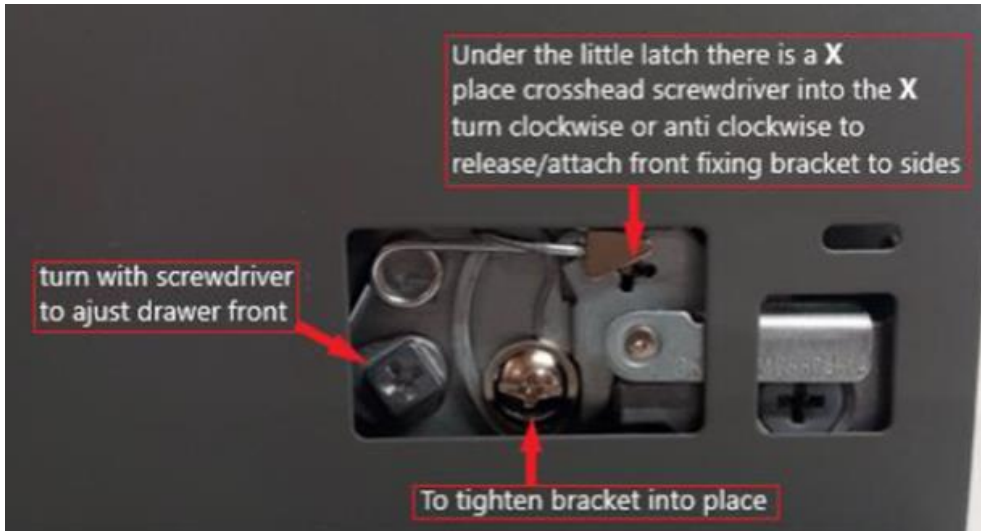
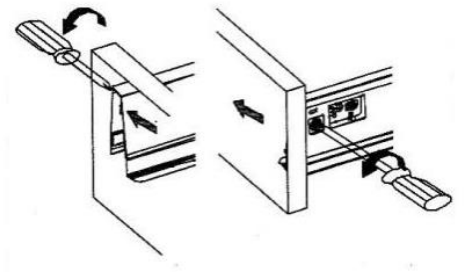
Front Panel Height Adjustment: +/- 2mm



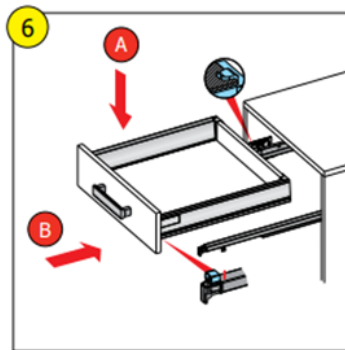
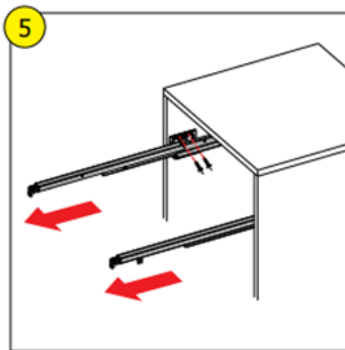
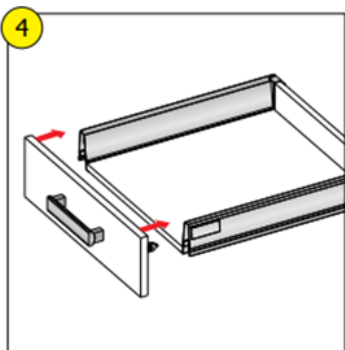
Front Panel side adjustment: Right 1mm



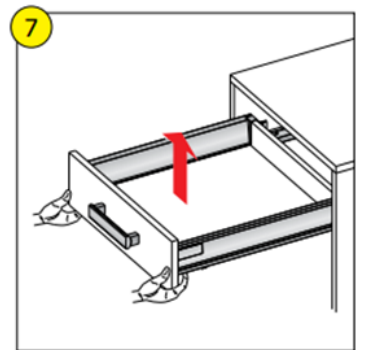
Front Panel side adjustment: Left 1mm



ONCE DRAWER IS ATTACHED TO DRAWER FRONT CLICK INTO PLACE PLASTIC SCREW COVER (DBT)



- Place drawer on to slides (A)
- Close drawer shut to engage (B)



- Removing the drawer

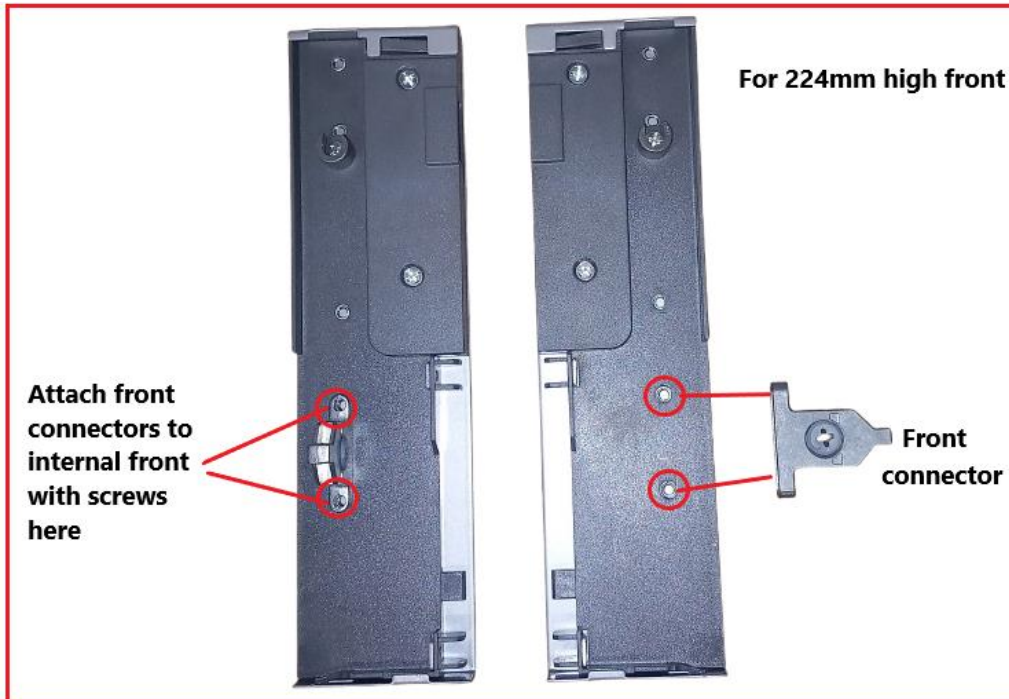
Internal Drawers Info



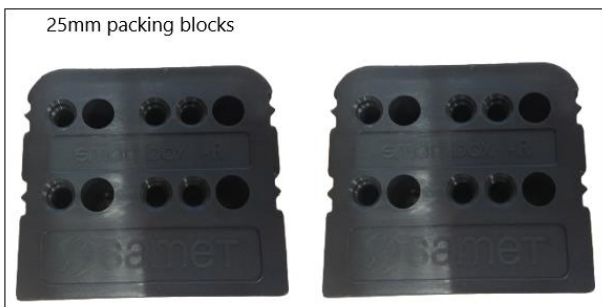
110mm High (95mm High Drawer)



224mm High (180mm High Drawer with Acrylic + Rail)



Once the drawer is assembled click internal front into drawer sides. Please see page 4 for help if needed.



Packing blocks will only be with orders where unit has hinges. Blocks will come in a pair 2x left (L) or 2x right (R). Blocks are screwed to the unit before screwing runners to the unit, where then runners will be screwed to packers.